

DELUXE STITCHER

C O M P A N Y I N C .

PARTS LIST

**StitchMaster - Gunther
Stitcher Machine**

SM-Gunther

Before ordering replacement parts for your SM - Gunther Stitcher Head refer to the following Spare and Wear parts List. Keep this list with the Stitcher machine for future reference. If you have any questions, contact your local DeLuxe Stitcher Representative or Distributor.

DELUXE STITCHER

C O M P A N Y I N C .

PARTS LIST

**StitchMaster - Gunther
Stitcher Machine**

SM-Gunther

AUTHORIZED DEALER:

DELUXE STITCHER

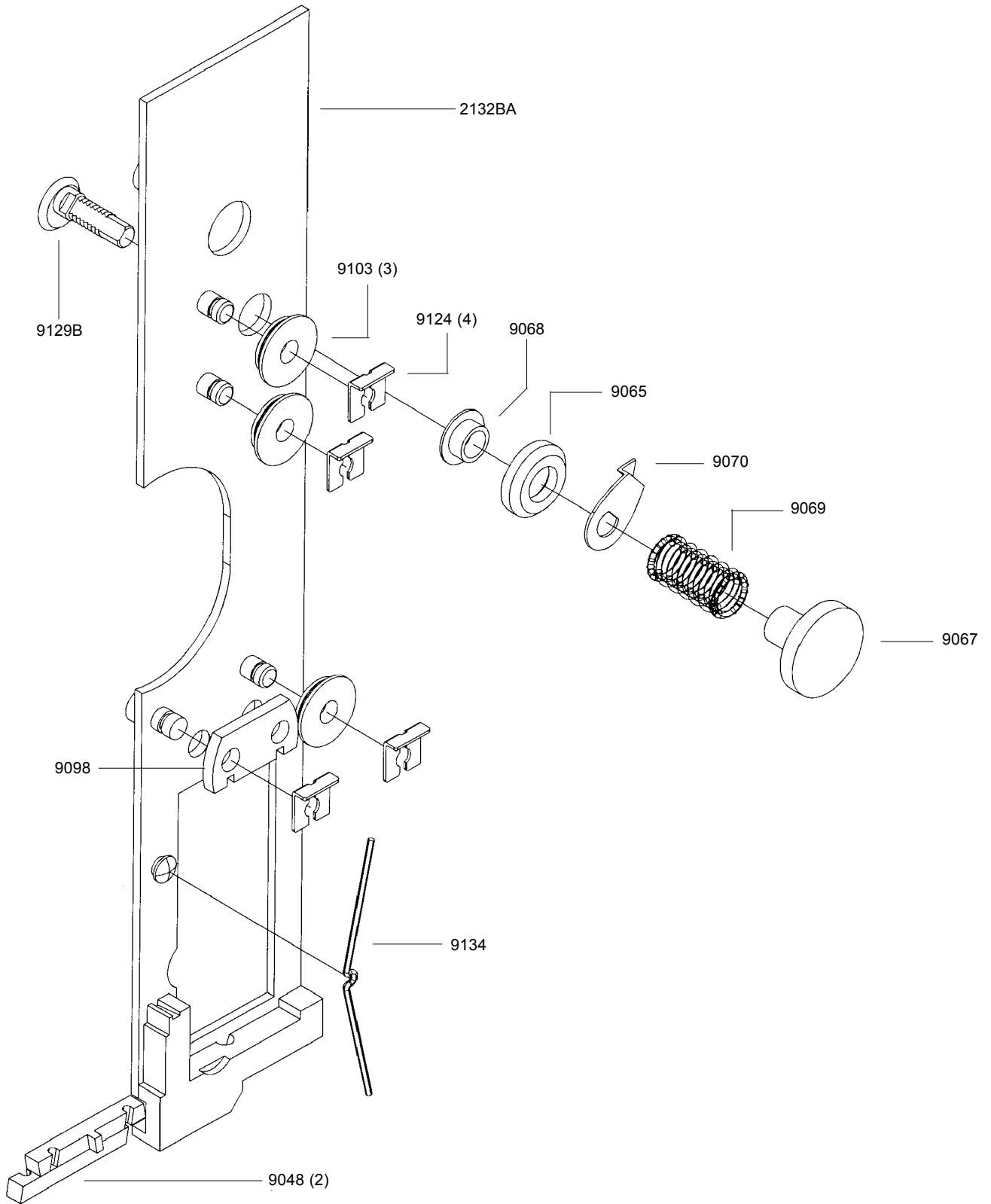
COMPANY INC.

**6635 West Irving Park Road
Chicago, Illinois 60634-2410 U.S.A.**

**800-634-0810 or 773-777-6500
Fax: 800-417-9251 or 773-777-0156**

**E-mail: deluxestitcher@aol.com
Web: <http://www.deluxestitcher.com>**

Face Plate Assembly



1.

Face Plate Assembly

ITEM No.	DESCRIPTION	QUANTITY
2132BA	Face Plate	1
9048	Wire Cutter	2
9065	Wire Straightener Eccentric Roller	1
9067	Wire Straightener Eccentric Nut	1
9068	Wire Straightener Eccentric Bushing	1
9069	Wire Straightener Eccentric Spring	1
9070	Wire Straightener Eccentric Pointer	1
9098	Tension Pawl	1
9103	Wire Straightener Roller	3
9124	Wire Straightener Roller Clip	4
9129B	Swivel Operating Spring Stud	1
9134	Tension Pawl Spring	1

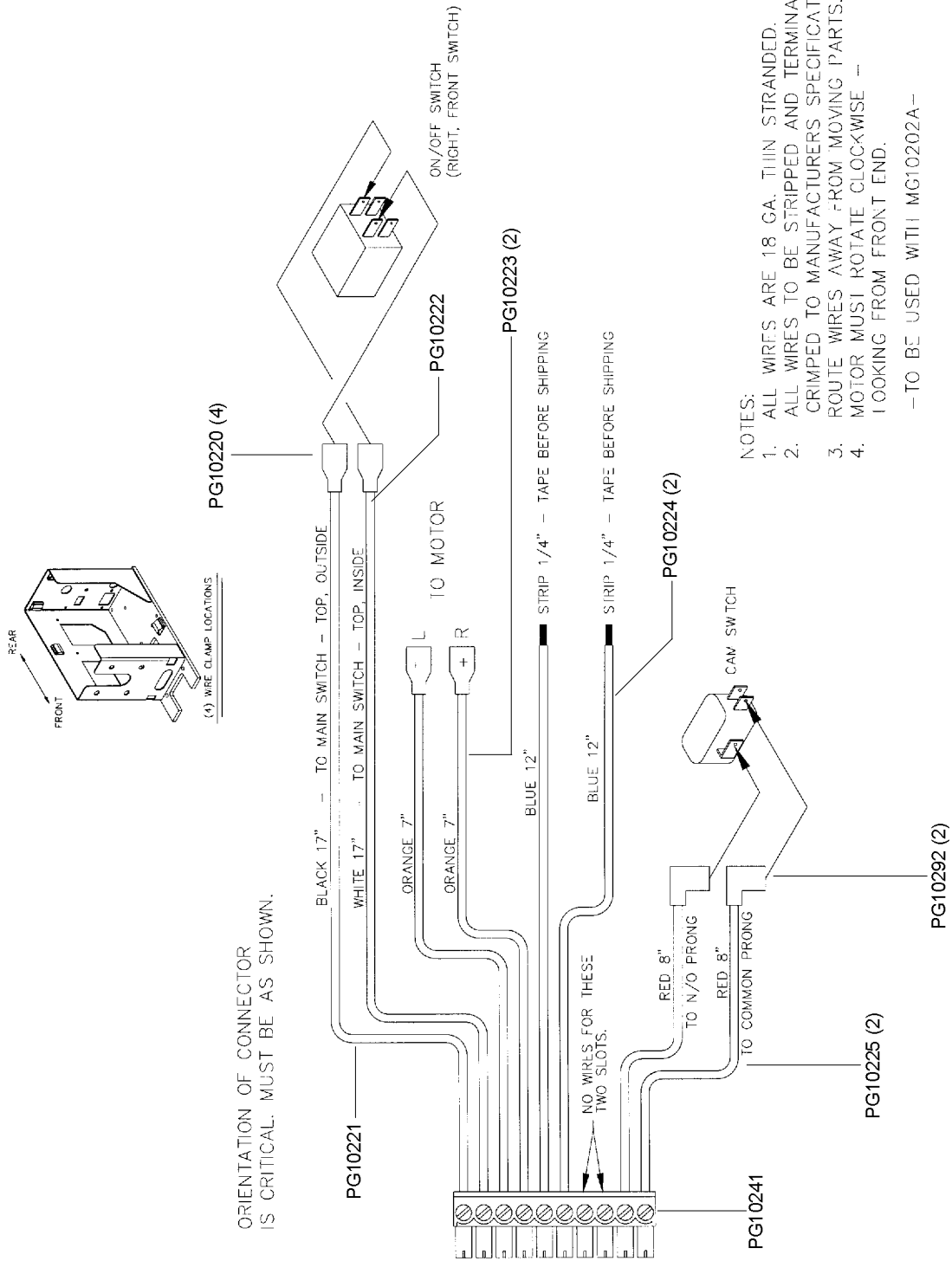
Bonnet Sub-Assembly

ITEM No.	DESCRIPTION	QUANTITY
0084	Solid Face Plate Clip Screw	1
2157	Supporter Lever Lock Shoe	1
2601R	Bonnet Sub Assembly	1
9002	Bonnet Clamp Block	1
9003A	Bonnet Clamp Handle	1
9030	Supporter Guide Plate	2
9032	Supporter Spring	1
9033	Roll Pin	1
9034	Supporter Spring Lever Screw	1
9035	Supporter Spring Lever Roll	1
9036A	Supporter Spring Lever Assembly	1
9037	Supporter Spring Lever Bushing	1
9043B	Swivel Holder	1
9044B	Swivel Holder Screw	1
9046A	Swivel Operating Spring	1
9049	Wire Cutter Operating Slide	1
9050	W/C Operating Slide Friction Plug	1
9051	W/C Operating Slide Friction Spring	1
9056	Face Plate Retaining Clip	3
9058	Swivel Operating Lever Screw	1
9075	Wire Guide Spring Bracket Screw	1
9079	Supporter Guide Plate Dowel	2
9081	Screw	2
9109	Bonnet Alignment Screw	1
9110	Bonnet Screw Binder	1
9127	Swivel Operating Lever Stud	1
9163	Swivel Operating Hub	1
9171	Solid Face Plate Clip	1
LW8	Lock Washer	1
UA2305.2	Face Plate Retaining Clip Screw	3
UA3806.1	Supporter Lever Lock Screw	1
UA3812.4	Supporter Lever Stop Screw	1

Internal Sub-Assemblies

ITEM No.	DESCRIPTION	QUANTITY
2137A	Driving Slide Assembly Link	1
2215	Driving Shaft Connection Link	1
2606	Face Plate Lock Clamp	1
5160	Driver Release Pin	1
9009-21X25	Driver	1
9009-25		
9012A	Driver Bar Assembly	1
9013BA-25	Bender Bar	1
9013BA-21X25		
9014	Latch	1
9015	Grip	1
9019	Grip Spring	1
9020	Grip Spring Retaining Screw	1
9022	Grip Release Slide	1
9023	Grip Retaining Clip	1
9024	Grip Retaining Clip Screw	1
9025	Grip Release Slide Lever	1
9026A	Supporter Assembly	1
9029	Supporter Pivot Pin	1
9065	Wire Straightener Eccentric Roller	1
9067	Wire Straightener Eccentric Nut	1
9068	Wire Straightener Eccentric Bushing	1
9069	Wire Straightener Eccentric Spring	1
9070	Wire Straightener Eccentric Pointer	1
9103	Wire Straightener Roller	2
9112	Bender Bar Friction Plug	1
9113	Bender Bar Friction Spring	1
9115	Bender Bar Friction Bushing	1
9123	Wire Straightener Roller Stud	2
9124	Wire Straightener Roller Clip	2
9129B	Swivel Operating Spring Stud	1
9799	Face Plate Locating Screw	1
MG10001A	Wire Guide Spring Bracket Assembly	1
MG10009A	Wire Guide Spring Assembly	1
MG10011A	Face Plate Adjustment Slide Assy.	1
MG10013	Face Plate Adjustment Nut	1

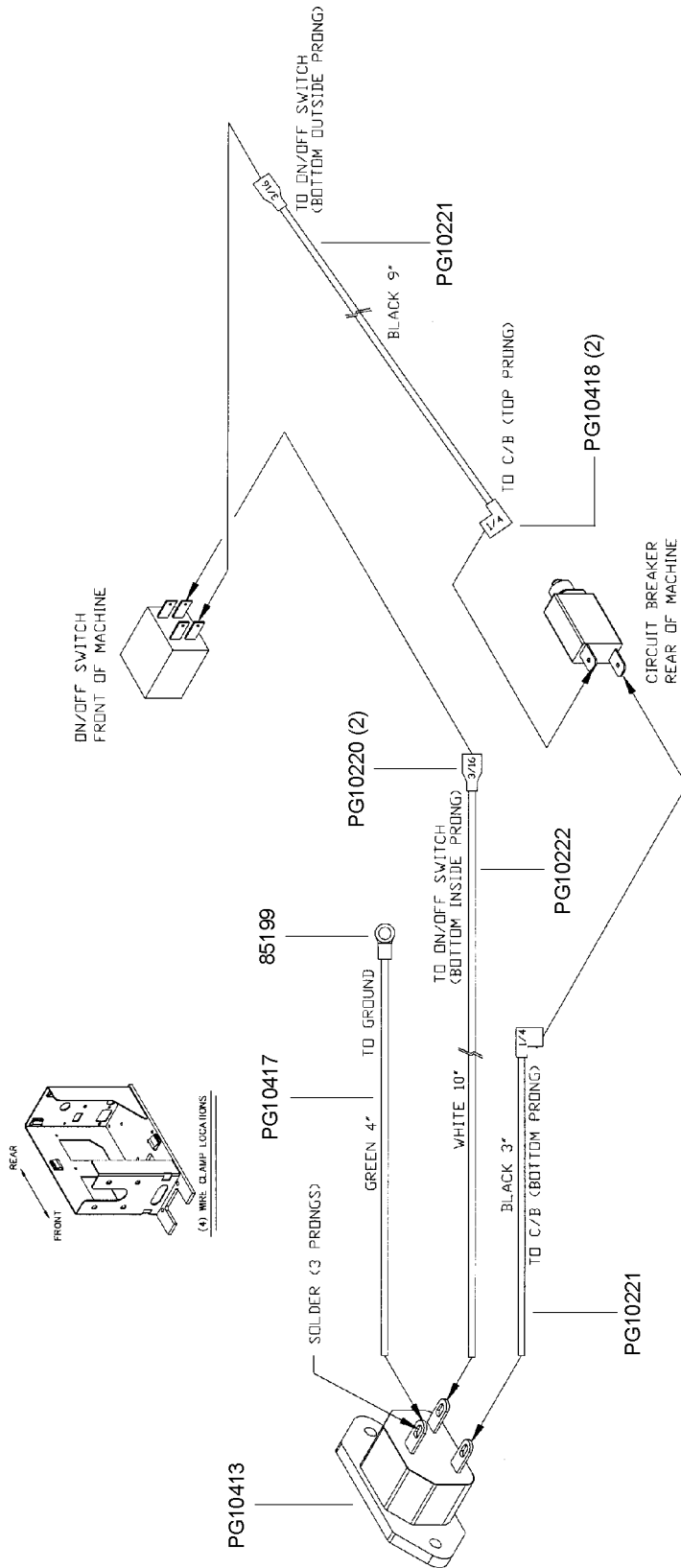
Wiring Assembly



Wiring Assembly

ITEM No.	DESCRIPTION	QUANTITY
PG10220	3/16 Straight Terminal	4
PG10221	18 Gauge Black Wire - 17" Length	1
PG10222	18 Gauge White Wire - 17" length	1
PG10223	18 Gauge Orange Wire - 7" Length	2
PG10224	18 Gauge Blue Wire - 12" Length	2
PG10225	18 Gauge Red Wire - 8" Length	2
PG10241	10 Pin Connector	1
PG10292	3/16 x 90° Terminal	2

Receptacle Kit - MG1020A



NOTE:
 1. DIRECTIONS ARE FROM FRONT OF MACHINE.
 2. TO BE USED WITH MG10014GUN

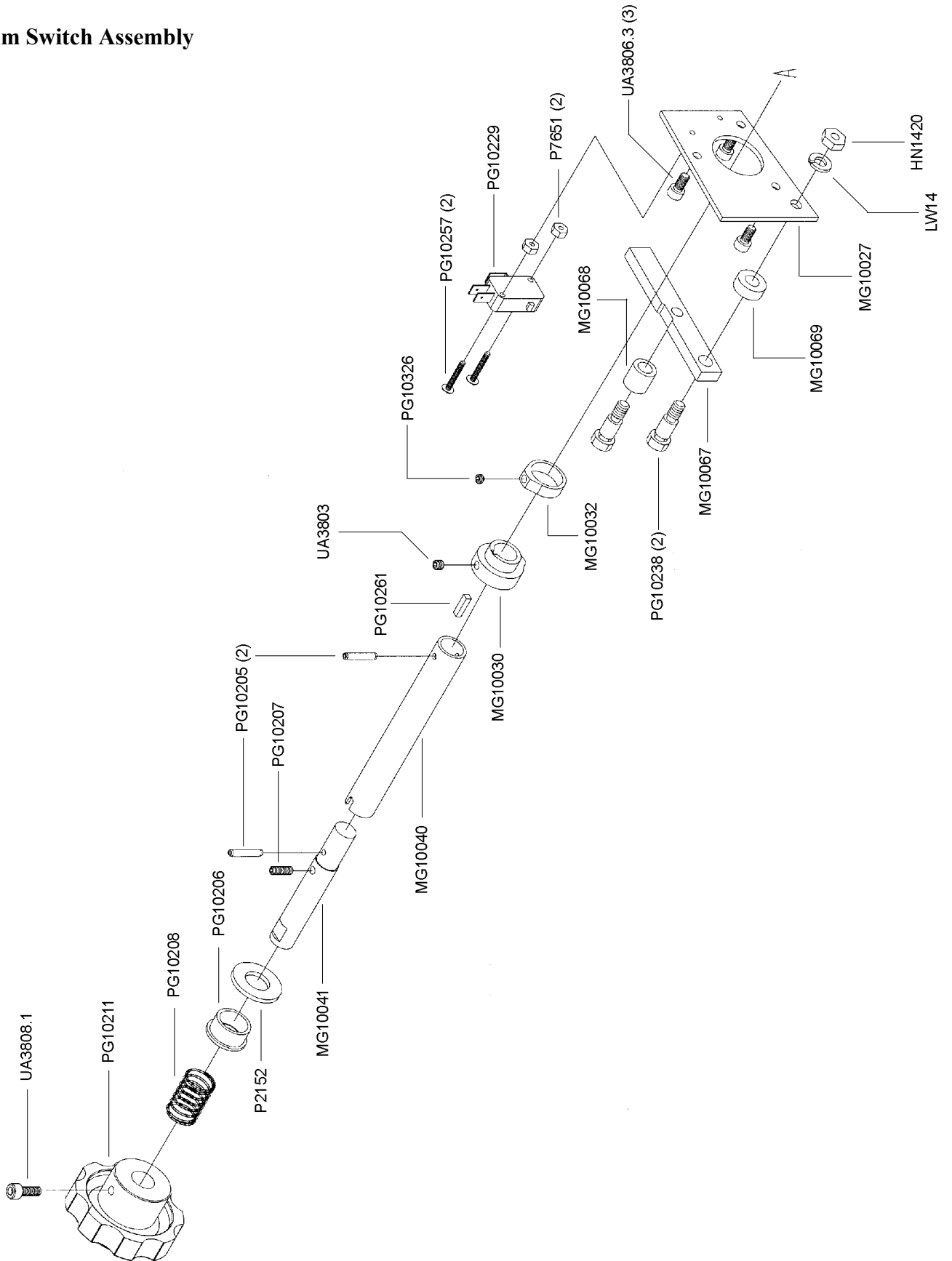
Receptacle Kit - MG10202A

ITEM No.	DESCRIPTION	QUANTITY
85199	Ring Terminal	1
PG10220	3/16 Straight Terminal	2
PG10221	Black Hook Up Wire - 3" Length	1
PG10221	Black Hook Up Wire - 9" Length	1
PG10222	White Hook Up Wire - 10" Length	1
PG10413	Plug Receptacle	1
PG10417	Green Hook Up Wire - 4" Length	1
PG10418	1/4 x 90° Wire Connector	2

Frame Assembly

ITEM No.	DESCRIPTION	QUANTITY
G30173	Self Tap Screw 8 x 3/8	2
MG10020BA	Frame Weldment	1
MG10028A	Circuit Board Platform	1
MG10029B	Hole Cover	1
MG10202A	Receptacle Kit	1
P2930	Nut 8-32	1
P5106	Screw 6-32 x 3/8	1
P6794	Screw 10-24 x 5/8	4
P7651	Nut 6-32	1
PG10007B	Circuit Board	1
PG10209B	Vibration Pad	2
PG10216	Circuit Board Spacer	4
PG10228B	On/Off Switch	1
PG10291	10-24 x 1/4	1
PG10300	Plastic Nut	1
PG10419	Circuit Breaker 1 Pole	1
PG10421	Power Cord - 115V	1
PW8	Flat Washer	2
SW10	Lock Washer	1
UA2406.1	8-32 x 3/8	3

Cam Switch Assembly



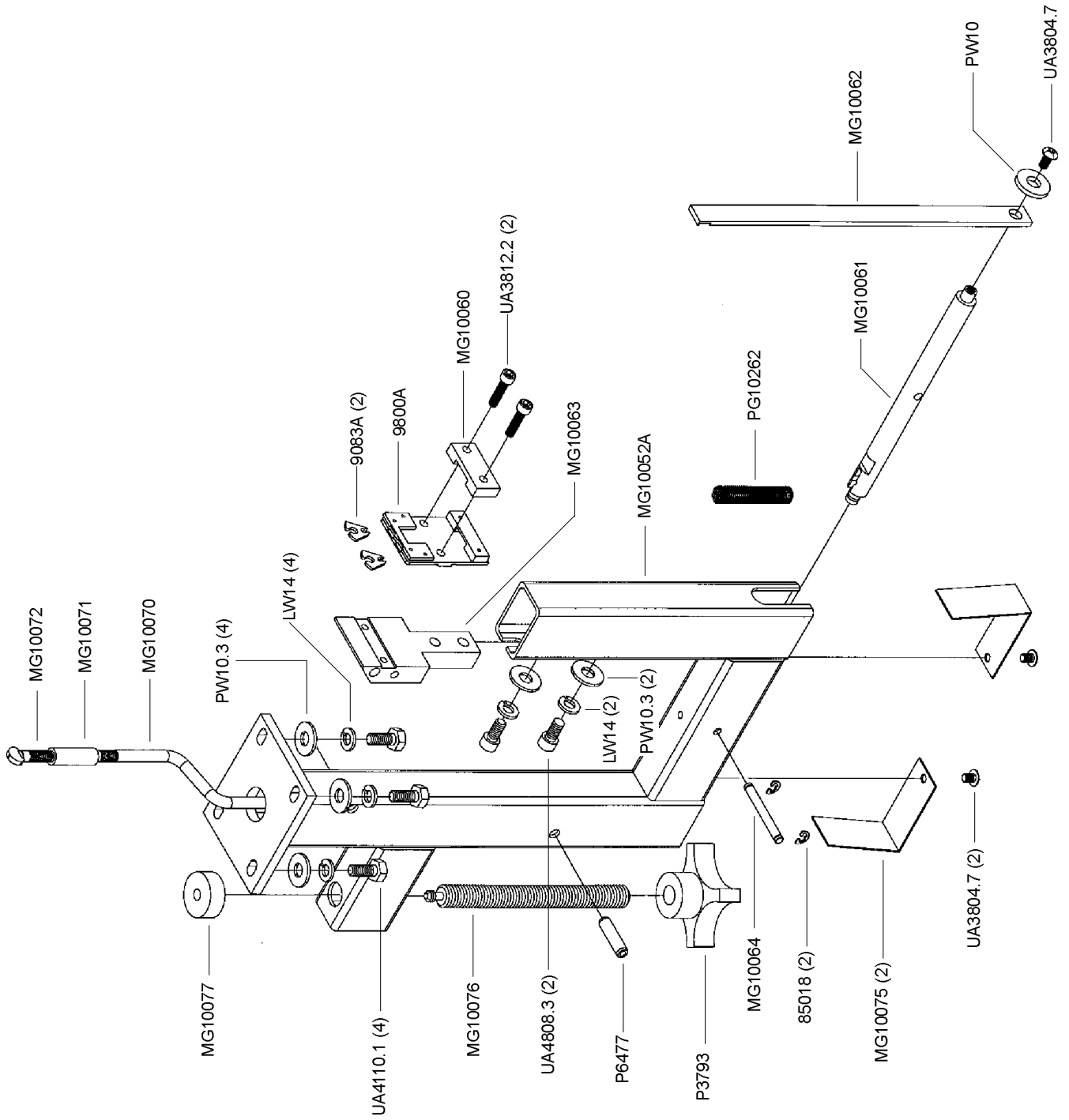
Cam Switch Assembly

ITEM No.	DESCRIPTION	QUANTITY
HN1420	Nut 1/4 - 20	1
LW14	Lock Washer 1/4	1
MG10027	Cam Switch Mounting Plate	1
MG10030	Clincher Cam	1
MG10032	Control Cam	1
MG10040	Shaft Extension Tube	1
MG10041	Shaft Extension	1
MG10067	Cam Lever	1
MG10068	Cam Roller	1
MG10069	Cam Lever Spacer	1
P2152	Washer 1/2	1
P7651	Nut 6 - 32	2
PG10205	Spirol Pin 1/8 x 3/4	2
PG10206	Nylon Bushing 9/16	1
PG10207	Screw 8 - 32 x 1/2	1
PG10208	Shaft Extension Spring	1
PG10211	Shaft Extension Handle	1
PG10229	Snap Switch	1
PG10238	Cam Roller Screw	2
PG10257	Cam Switch Screw	2
PG10261	Square Key 1/8 x 1/2	1
PG10326	Screw 8 - 32 x 1/8	1
UA3803	Screw 10 - 32 x 3/16	1
UA3806.3	Screw 10 - 32 x 3/8	3
UA3808.1	Screw 10 - 32 x 1/2	1

Gear Motor Assembly

ITEM No.	DESCRIPTION	QUANTITY
2215	Driving Shaft Connection Link	1
2601R	Bonnet Sub-Assembly	1
HN440.3	Nylon Insert Lock Nut	1
HN440.4	Hex Nut	1
MG10026	Head Mounting Plate	1
MG10031A	Crank Assembly	1
MG10035A	Guard Arm Assembly	2
MG10037	Guard Spring Rod	1
PG10003	Head Guard	1
PG10006	Gear Motor (115V)	1
PG10006B	Gear Motor (220V)	1
PG10202	Tension Spring	1
PG10203	Screw 4 - 40 x 1/2	1
PG10261	Square Key 1/8 x 1/2	1
PG10289	Brush Assembly	1
PG10290	Brush Holder	1
UA3808.1	Screw 10 - 32 x 1/2	1
UA4812.7	Screw 1/4 - 20 x 3/4	6

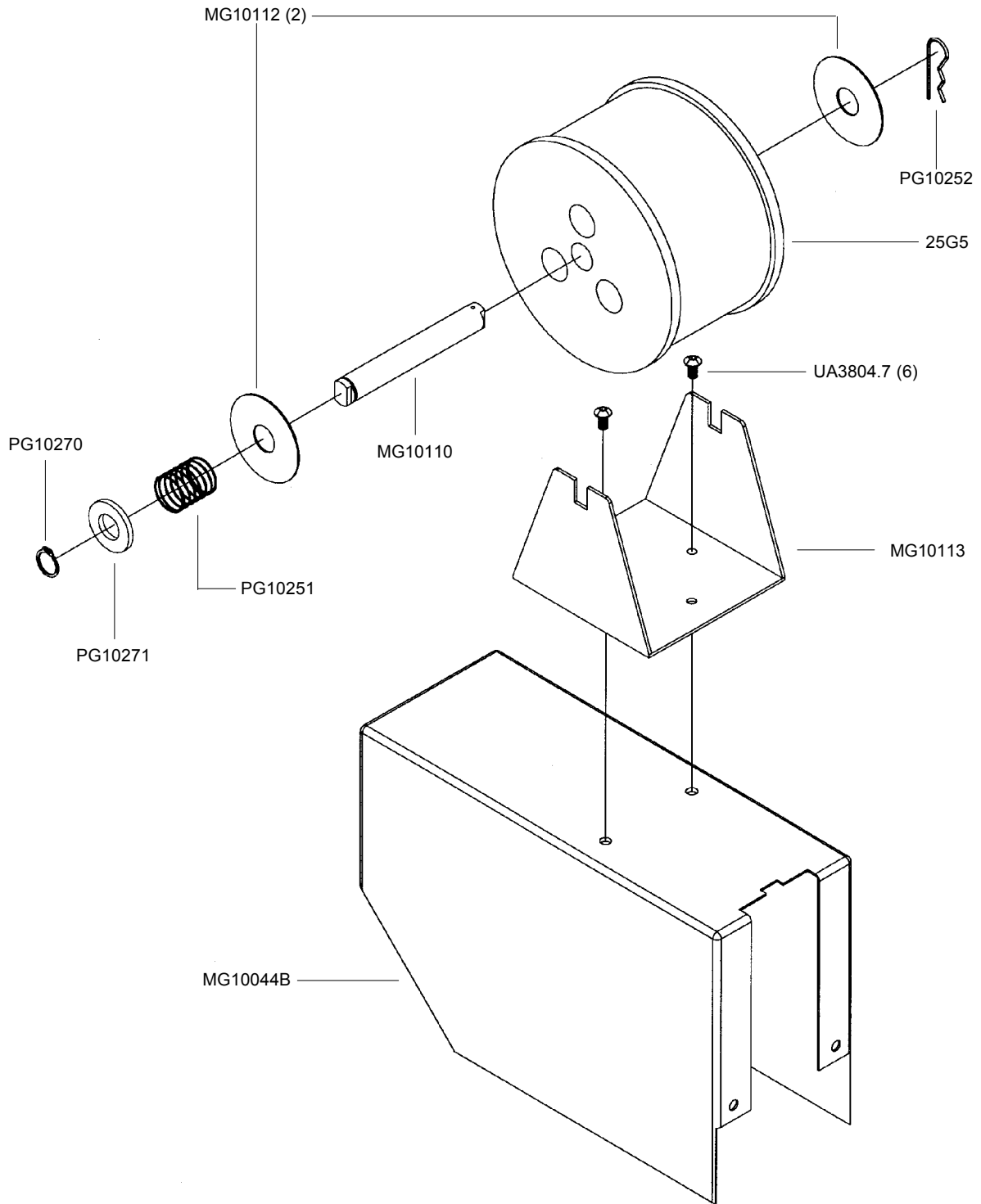
Clincher Arm Assembly



Clincher Arm Assembly

ITEM No.	DESCRIPTION	QUANTITY
85018	Wire Straightener Roll Clip	2
9083A	Clincher Point - 25 Round Wire	2
9800A	Clincher Plate - Movable	1
LW14	Lock Washer 1/4	6
MG10052A	Clincher Arm	1
MG10060	Clincher Slide Strap	1
MG10061	Clincher Lever	1
MG10062	Clincher Slide	1
MG10063	Clincher Plate Mounting Block	1
MG10064	Clincher Lever Pivot Pin	1
MG10070	Clincher Rod	1
MG10071	Clincher Rod Sleeve	1
MG10072	Clincher Rod Stud	1
MG10075	Clincher Arm Cover	2
MG10076	Clincher Arm Clamp Rod	1
MG10077	Clincher Arm Clamp Pad	1
P3793	Clincher Arm Clamp Knob	1
P6477	Clincher Lever Springl Pin	1
PG10262	Clincher Lever Spring	1
PW10	Washer #10	1
PW10.3	Washer 3/16	6
UA3804.7	Screw 10 - 32 x 1/4	3
UA3812.2	Screw 10 - 32 x 3/4	2
UA4808.3	Screw 1/4 - 20 x 1/2	2

Wire Spool and Cradle Assemblies



Wire Spool and Cradle Assemblies

ITEM No.	DESCRIPTION	QUANTITY
25G5	Wire Spool 25 ga. Round	1
MG10044B	Cover	1
MG10110	Spool Shaft	1
MG10112	Wire Spool Washer	2
MG10113	Wire Spool Cradle	1
PG10251	Spool Friction Spring	1
PG10252	Spool Clip	1
PG10270	Retaining Ring	1
PG10271	Washer 9/16	1
UA3804.7	Screw 10-32 x 1/4	6

Commonly Replaced Wear Parts

ITEM No.	DESCRIPTION	QUANTITY
9009-25	Driver 1/2	1
9012A	Driver Bar Assembly 1/2	1
9014	Latch	1
9015	Grip	1
9019	Grip Spring	1
9020	Grip Spring Retaining Screw	1
9023	Grip Retaining Clip	1
9024	Grip Retaining Clip Screw	1
9026A	Supporter Assembly 1/2	1
9038M	Swivel Magnetic 1/2	1
9046A	Swivel Operating Spring	1
9048	Wire Cutter	2
9083A	Clincher Point - Thick, Round	2
9800A	Clincher Plate - Thick	1
PG10289	Brush Assembly	1