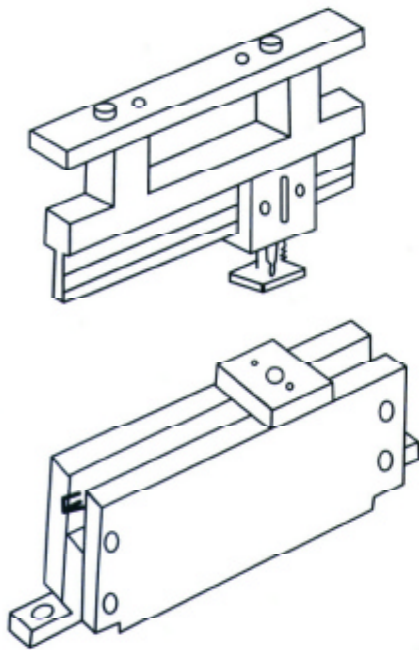


# Calendar Punch



**For Harris-Heidelberg  
Models 542, 550, 562,  
650, 705, and 750**

Eliminate the time consuming and tedious step of drilling your calendars.

With a 10 minute installation of the calendar punch, your stitcher-trimmer line can trim and punch in the same operation.

## **Specifications:**

Maximum calendar size: 12" x 19-1/2"  
Minimum calendar size 3-1/2" x 8-1/2"  
(comes with 3/16" or 1/4" punch set)