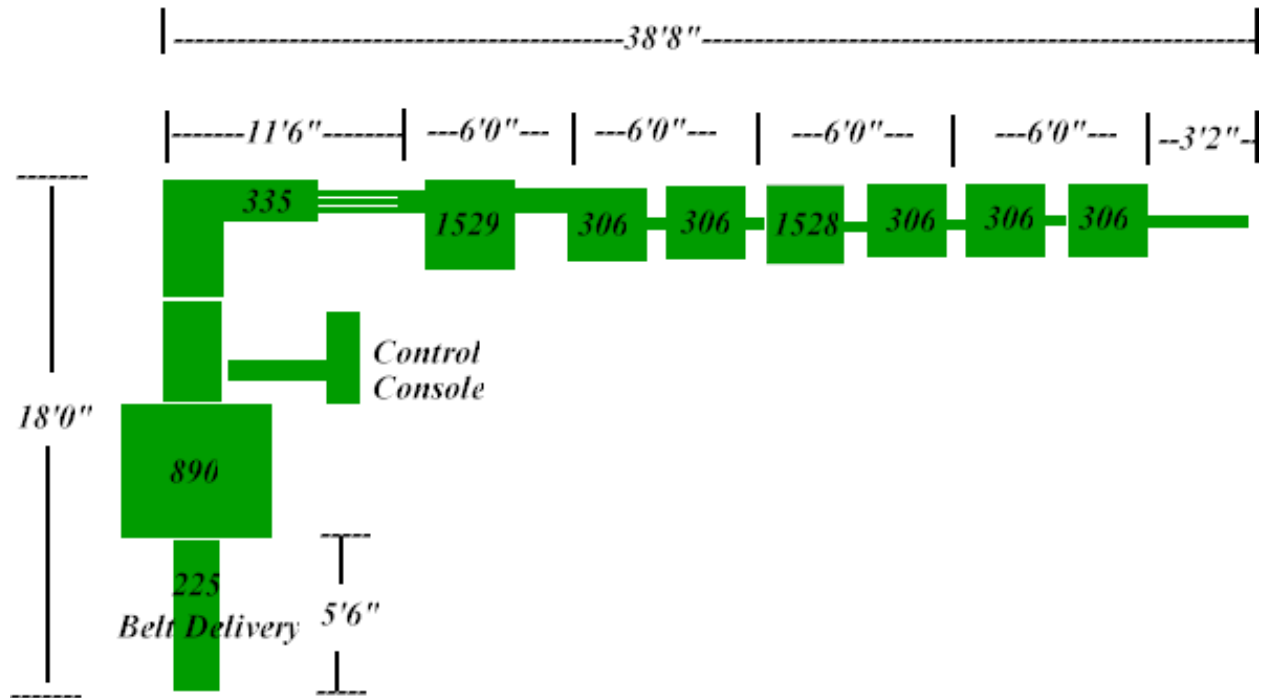


Muller 335 Saddle Stitcher



SPECIFICATIONS:

12,000/Hour Mechanical Speed

6' Universal Base's - Each base will hold: two 306's, one 306 + one 1528 or one 1529

Add 6' to machine length for more feeders

Movable Feeder: 306

Folder Feeder: 1529

Movable Card Feeder (Optional): 1528

890 3-Knife Trimmer

Max Thickness 1/2"

Delivery Belt

225 with Counter & Kicker

Counter Stacker (Optional): Apollo or 310